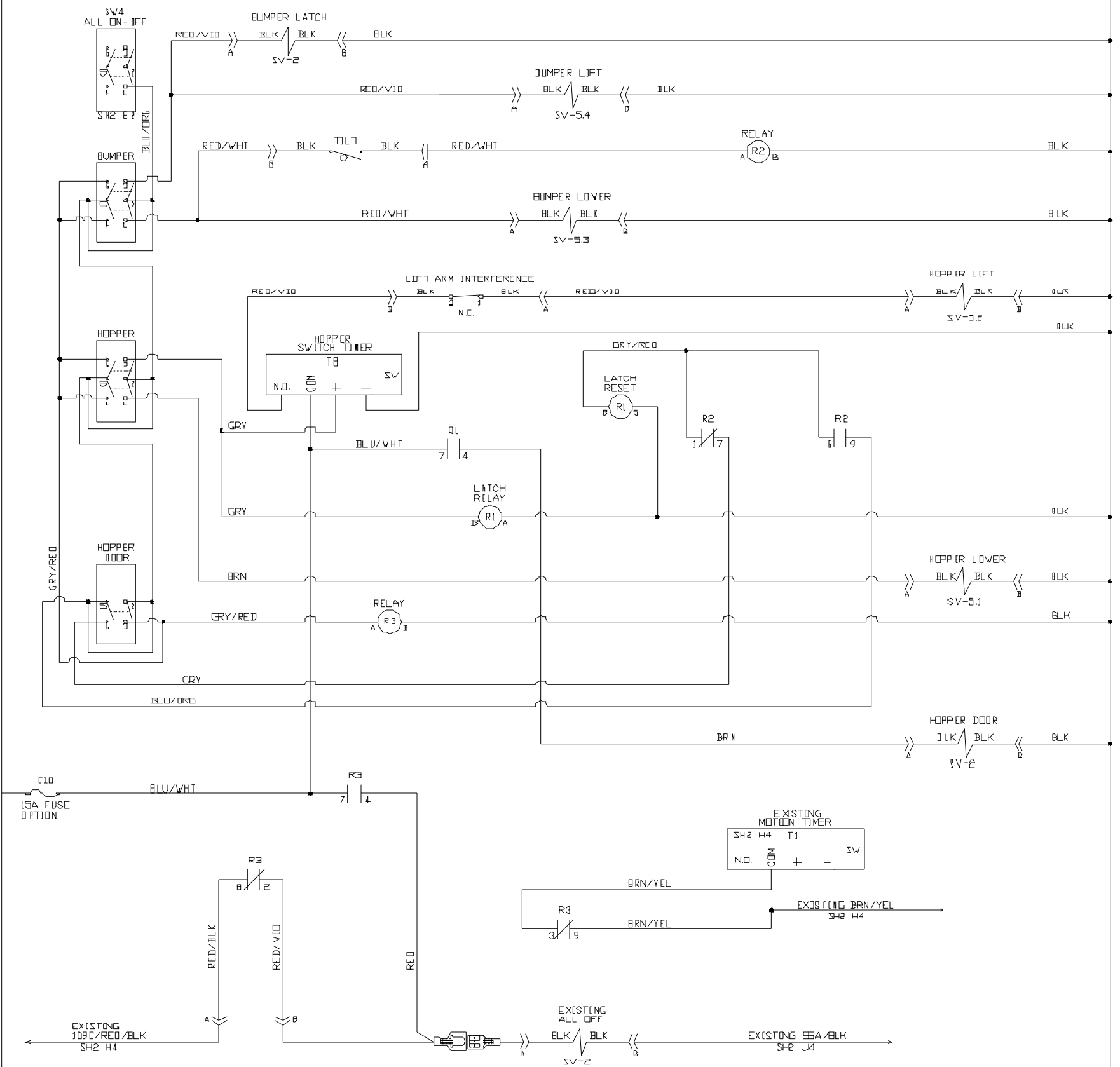


5/RED



<p>CONFIDENTIAL</p> <p>THIS DRAWING AND ALL INFORMATION CONTAINED THEREIN ARE THE EXCLUSIVE PROPERTY OF MINUTEMAN INTERNATIONAL, INC. THIS DRAWING IS NOT TO BE COPIED OR OTHERWISE REPRODUCED WITHOUT EXPRESSED WRITTEN PERMISSION OF MINUTEMAN INTERNATIONAL, INC. IN ADDITION, THIS DRAWING MUST BE RETURNED UPON REQUEST. FURTHER, ALL INFORMATION CONTAINED HEREIN MUST BE MAINTAINED CONFIDENTIAL.</p>			
<p>TITLE NAUTILUS_ELECTRICAL_DIAGRAM_4_OF_4</p>		<p>SCALE NTS</p>	
<p>MATERIAL N/A</p>		<p>FINISH N/A</p>	
<p>TOLERANCES (UNLESS OTHERWISE SPECIFIED) 0-1" ± 1/16 >1-12" ± 1/4" <12" ± 1/2"</p>		<p>REMOVE BURRS AND BREAK SHARP EDGES .005/020 SIZE DRAWN BY KHH CHECKED BY JWP DATE 08/03/15 DATE 08/03/15</p>	
<p>REV A</p>	<p>E.C.N. MIN-1312B</p>	<p>DATE 11/18/15</p>	<p>CHANGE ADDED HD (SH4) & PRESSURE WASHER</p>
<p>BY KHH</p>	<p>CHK JWP</p>	<p>14925 US ROUTE 20 FINCH CROVE, IL 60140</p>	
<p>P.N. 748992-1</p>		<p>REV A</p>	
<p>SHEET 4 OF 4</p>		<p>MINUTEMAN INTERNATIONAL</p>	